

SR626

COMPACT ROUGH TERRAIN TELEHANDLER



- Full-time 4 wheel drive
- Fully enclosed cab
- Power assisted steering
- Proportional joystick controls
- Simple to operate & maintain

 **snorkel**[™]
www.snorkellifts.com

COMPACT ROUGH TERRAIN TELEHANDLER

SR626

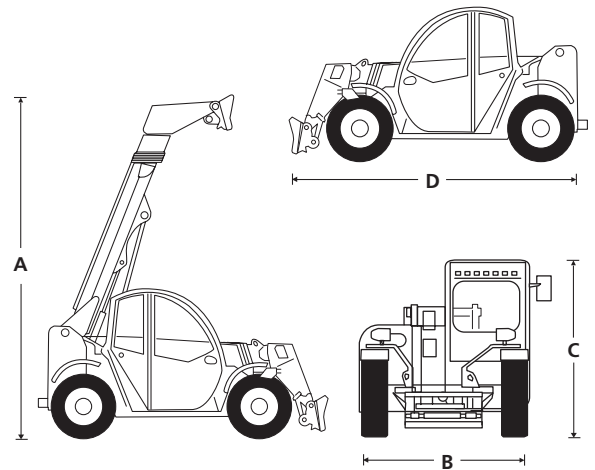
CAPABILITIES	SR626
Max. lift capacity	2,600kg
Max. lift height (A)	5.79m
Max. forward reach	3.2m

DIMENSIONS	
Overall width (B)	1.89m
Stowed height (C)	1.93m
Length to fork face (D)	4.19m
Wheelbase	2.5m
Ground clearance	220mm

PERFORMANCE	
Max. drive speed	27km/h
Raise/lower time	6.9/5 sec
Hydraulic flow (per minute)	70L
Hydraulic pressure	230bar
Hydraulic oil capacity	70L
Fuel capacity	80L
Outside turning radius	3.25m
Tyres	12 x 16.5

POWER	
Power source	Yanmar 52kW Stage V diesel

WEIGHT	
Weight	4,700kg



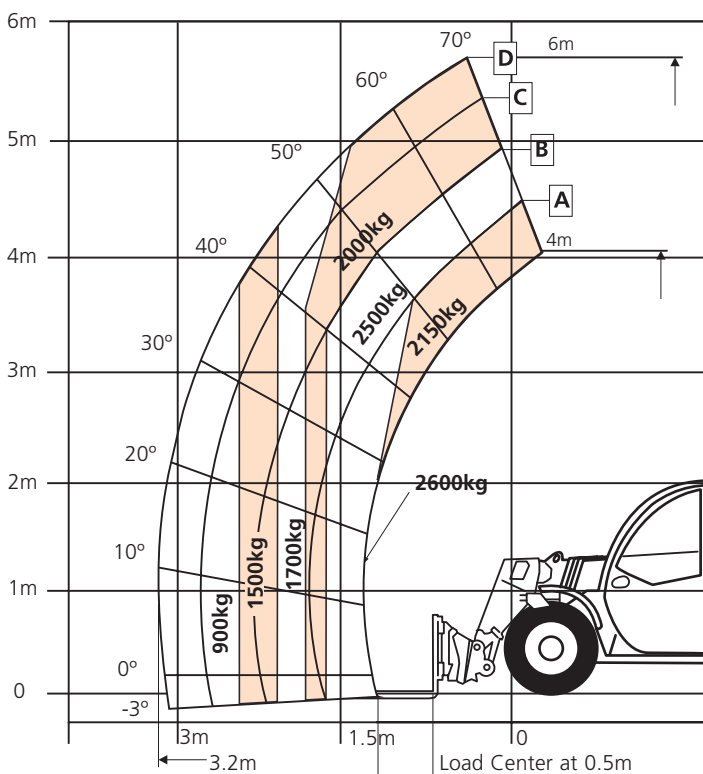
STANDARD FEATURES

- Full time 4 wheel drive
- 4 wheel steer
- Selectable front, crab & coordinated steering modes
- Auxillary hydraulic circuit on the boom
- Variable speed hydrostatic drive
- Fully enclosed cab
- Proportional joystick
- Easy to access components for servicing
- Constant Flow
- Illuminated gauge and switch panels
- Colour LCD display with machine & engine diagnostics
- Block heater
- Flashing beacon
- Road lights
- Fixed 1.2m carriage
- 1.2m pallet forks
- 2 year parts & labour, 5 year structural warranty
- CE approved

OPTIONS

- Special paint colours
- LED front and rear work lights (4)
- LED work lights on boom (2)
- Air conditioning
- Adjustable suspension seat

LOAD CHART



snorkel www.snorkellifts.com

Vigo Centre, Birtley Road,
Washington, Tyne & Wear,
NE38 9DA, U.K.

t: +44 (0) 845 1550 057
e: sales.emea@snorkellifts.com