

SR1442

ROUGH TERRAIN TELEHANDLER



- Full-time 4-wheel drive
- Fully enclosed cab
- Power assisted steering
- Proportional joystick
- Simple to operate & maintain

 **snorkel**™
www.snorkellifts.com

ROUGH TERRAIN TELEHANDLER

SR1442

CAPABILITIES SR1442

Max. lift capacity	4,200kg
Max. lift height (A)	13.5m
Max. forward reach	9.5m

DIMENSIONS

Overall width (B)	2.3m
Stowed height (C)	2.56m
Length to fork face* (D)	6.45m
Wheelbase	2.95m
Ground clearance	350mm

PERFORMANCE

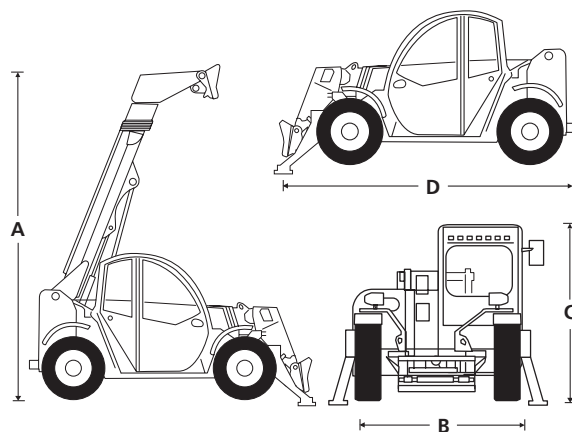
Max. drive speed	30km/h
Raise/lower time	13/9.5 sec
Frame levelling	11°
Hydraulic flow (per minute)	120L
Hydraulic pressure	230bar
Hydraulic oil capacity	150L
Fuel capacity	120L
Outside turning radius	4.2m
Tyres	405/70 - 24

POWER

Power source Deutz 55.4kW Stage V/Tier 4 Final diesel

WEIGHT

Weight 11,150kg



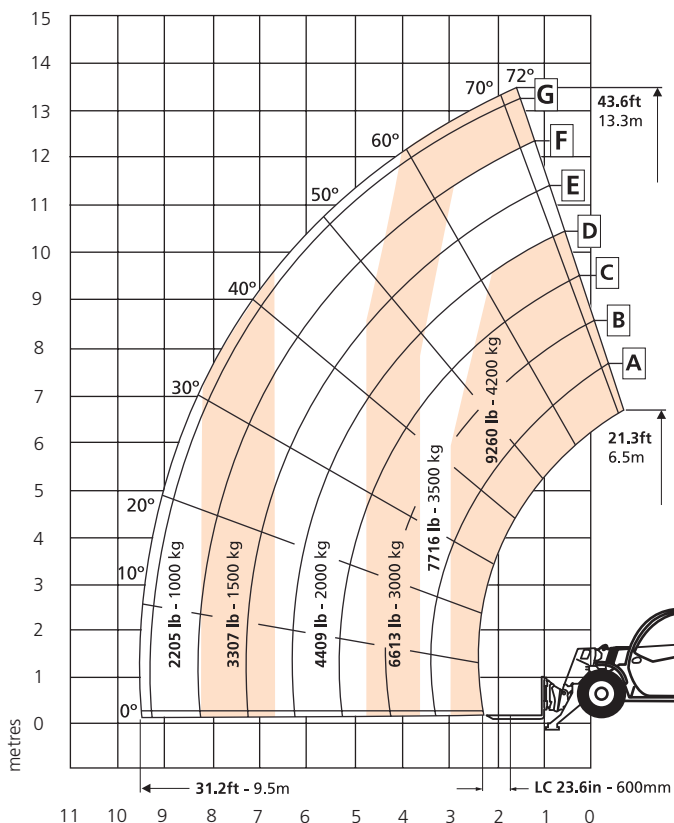
STANDARD FEATURES

- Full-time 4-wheel drive
- 4-wheel steer - selectable front, crab & coordinated steering modes
- Auxiliary hydraulic circuit on the boom
- Variable speed hydrostatic drive
- Fender (4)
- Fully enclosed cab with heat
- Proportional joystick controls
- Adjustable suspension seat
- Illuminated gauge & switch panels
- Colour LCD display with machine & engine diagnostics
- Flashing beacon
- Fixed 1500mm carriage & 1500mm floating forks
- 2 year parts & labour, 5 year structural warranty
- CE approved

OPTIONS

- Special paint colours
- Air conditioning
- Grammer air suspension seat
- Front & rear LED work lights (4)
- Work lights on boom (2)
- Heated right external mirror
- Additional rear mirror
- Cab front glass protection grille
- Engine preheater 220V
- Boom suspension & floating boom
- Bluetooth radio, handsfree & USB socket
- Sun curtain
- Fixed tow hook 6 ton
- Snorkel OnSite™ telematics

LOAD CHART



snorkel

Vigo Centre, Birtley Road,
Washington, Tyne & Wear,
NE38 9DA, U.K.

t: +44 (0) 845 1550 057
e: sales.emea@snorkellifts.com

www.snorkellifts.com